

## LD-1

IATA ULD Code: AKC Contoured Container

Also known as: AVC, AVD, AVK, AVJ

Forkable: AVY

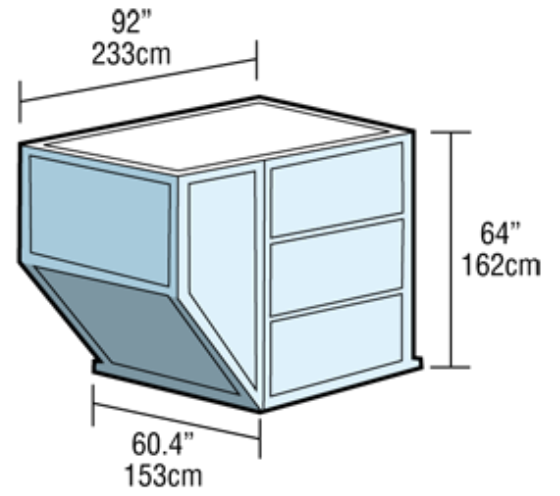
Classification: LD-1

Rate Class: Type 8

Suitable for: B747, B767, B777, MD-11

Internal volume: 4.8 cu. m (169.5 cu. ft)

Maximum gross weight: 1588 kg (3501 lb)



## LD-3

IATA ULD Code: AKE Contoured Container

Also known as: AKE, AVA, AVB, AVC, AVK, DVA, DVE, DVP, XKS, XKG

Forkable: AKN, AVN, DKN, DVN, XKN

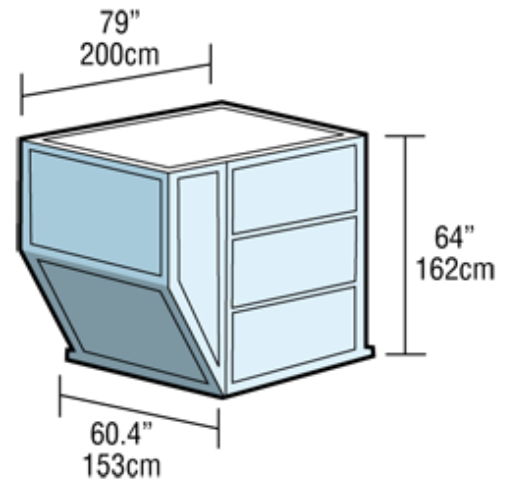
Classification: LD-3

Rate Class: Type 8

Suitable for: A300, A310, A330, A340, B747, B767, B777, DC-10, MD-11, L1011

Internal volume: 4.3 cu. m (152 cu. ft)

Maximum gross weight: 1588 kg (3500 lb)



## LD-1

IATA ULD Code: AKC Contoured Container

Also known as: AVC, AVD, AVK, AVJ

Forkable: AVY

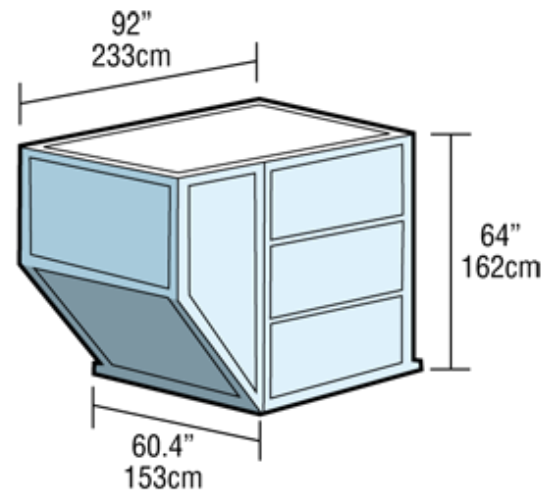
Classification: LD-1

Rate Class: Type 8

Suitable for: B747, B767, B777, MD-11

Internal volume: 4.8 cu. m (169.5 cu. ft)

Maximum gross weight: 1588 kg (3501 lb)



## Insulated LD-3

IATA ULD Code: RKN

Classification: LD-3

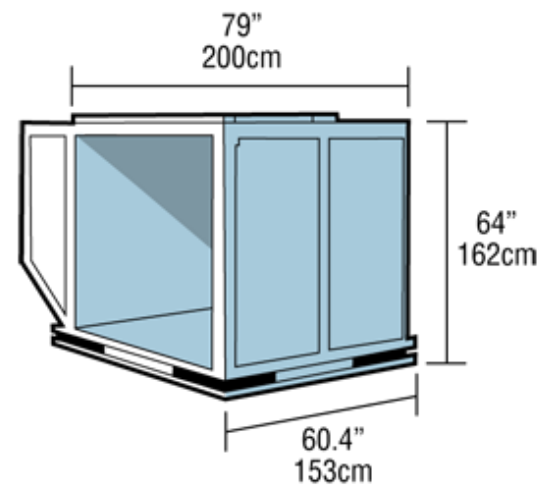
Rate Class: Type 8

Suitable for: A300, A310, A330, A340, B747, B767, B777, DC-10, MD11, L1011

Internal volume: 3.0 cu.m (109 cu. ft)

Maximum gross weight: 1588 kg (3500 lb)

Temperature Control Range: -20C to +20C



## LD-9

IATA ULD Code: AAP Enclosed Pallet on PIP base

Also known as: AA2, XAG, XAV

Classification: LD-9

Rate Class: Type 5

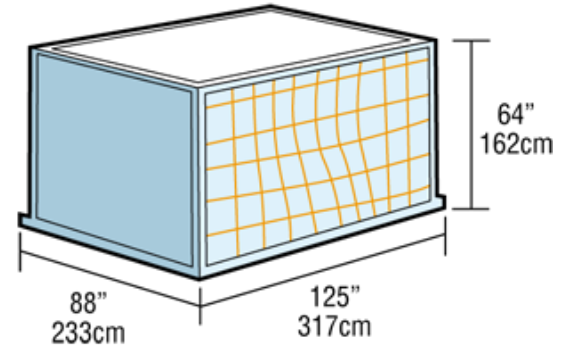
Suitable for: A300, A310, A330, A340, B747, B767, DC-10, MD-11, L1011

Internal volume: 9.1 cu. m (321 cu. ft)

Maximum gross weight:

4624 kg (10194 lb) lower deck

6000 kg (13227 lb) main deck



## LD-11

IATA ULD Code: ALP Rectangular Container

Also known as: ALD, AW2, AWB, AWD, AWZ, DLP, DWB, MWB

Refrigerated version: RWB, RWD, RWZ

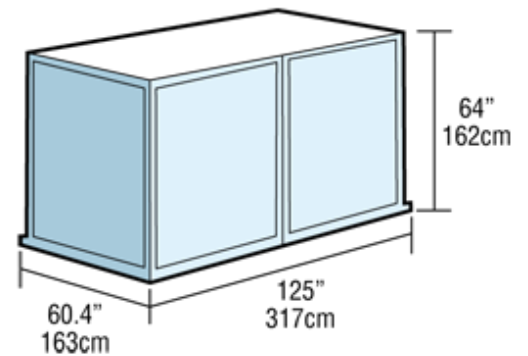
Classification: LD-11

Rate Class: Type 6

Suitable for: A300, A310, A330, A340, B747, B777, DC-10, MD-11, L1011

Internal volume: 7.2 cu. m (253 cu. ft)

Maximum gross weight: 3176 kg (7002 lb)



## 20FT Pallet

IATA ULD Code: PGA 20ft flat pallet with net

Also known as: PGA, PGE, PGF, PSA, PSG, P7A, P7E, P7F, P7G

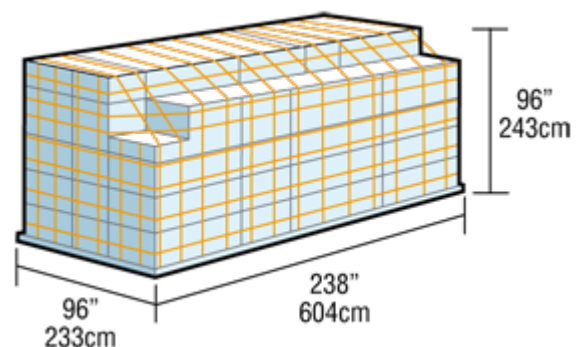
Classification: M-6

Rate Class: Type 1

Suitable for: B747F, B747Combi

Maximum volume: 33.2 cu. m (1174cu. ft.)

Maximum gross weight: 11340 kg (25000 lb)



## 88 Pallet

IATA ULD Code: PIP

Classification: 88â€ Pallet with net

Suitable for: B747, B767, B777, DC-10

Maximum volume: 11.9 cu. m. (420 cu. ft)

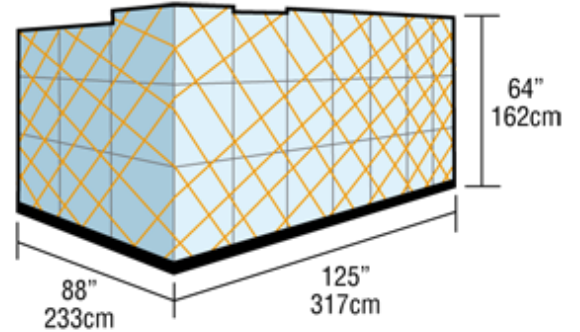
Maximum gross weight:

747/DC-10: 6033 kg (13300 lb)

767: 5103 kg (11227 lb)

777/DC-10: 4626 kg (10501 lb)

Can be loaded to 96" (162 cm) and 118" (300 cm) on freighters



## 96 Pallet

IATA ULD Code: P6P 10ft flat pallet with net

Also known as: P6A, P6C, P6Q, PMA, PMC, PMP, PQP

Classification: LD-9

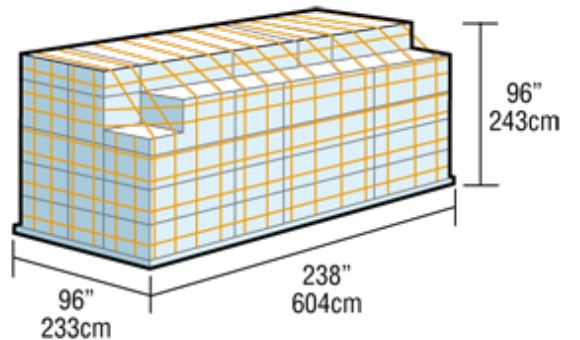
Rate Class: Type 2BG

Suitable for: A300, A310, A330, A340, B747, B767, B777, DC-10, MD-11, L1011

Maximum volume: 21.2 cu.m (747 cu.ft.)

Maximum gross weight: 6,804 kg (15000 lb)

Can be loaded to 96" (162 cm) and 118" (300 cm) on freighters



## Half Pallet

IATA ULD Code: PLA half pallet with net

Also known as: PLB, FLA, P9A, P9B, P9P, P9R, P9S

Classification: HP

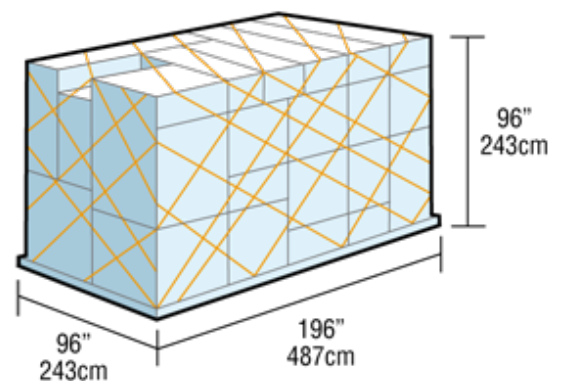
Rate Class: Type 6

Suitable for: Lower deck: B747, B777

Main deck: B707F, B727F, B737F

Maximum volume: 7.2 cu. m (254 cu. ft)

Maximum gross weight: 3175 kg (6999 lb)



## 16FT Pallet

IATA ULD Code: PRA 16ft flat pallet with net

Also known as: PMA, P4A, P4M, PZA

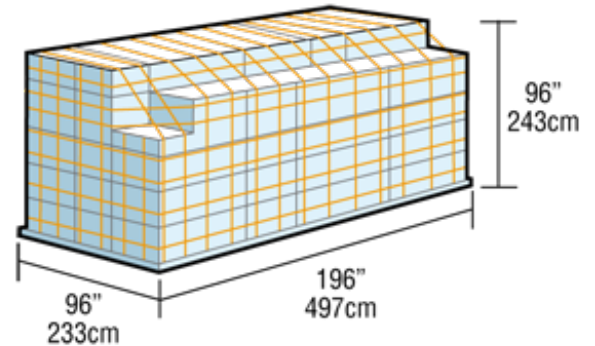
Classification: MDP

Rate Class: Type 1P

Suitable for: B747, B747Combi

Maximum volume: 26.8 cu. m (946cu. ft)

Maximum gross weight: 11300 kg (24991 lb)



## AQ6

IATA ULD Code: AMA Rectangular Container on P6P Base

Also known as: AMF, AMG, AMK, AMP, AQA, AQD, AQ6

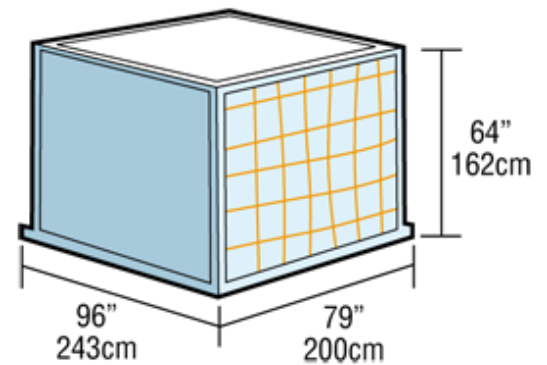
Classification: M-1

Rate Class: Type 2

Suitable for: B747F, B747Combi

Internal volume: 17.5 cu. m (618 cu. ft)

Maximum gross weight: 6804 kg (15000 lb)



## AQ7

IATA ULD Code: AMD Contoured Container on P6P Base

Also known as: AQA, AQ7

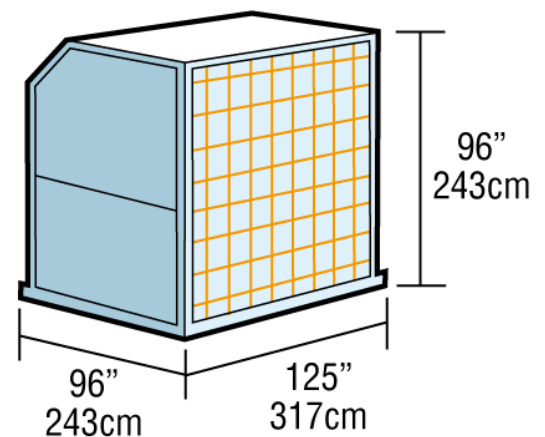
Classification: MIH

Rate Class: Type 2H

Suitable for: B747F, B747Combi

Internal volume: 19.9 cu. m (702 cu. ft)

Maximum gross weight: 6800 kg (14991 lb)



## M-6

IATA ULD Code: AGA 20ft Box Container

Also known as: ASE

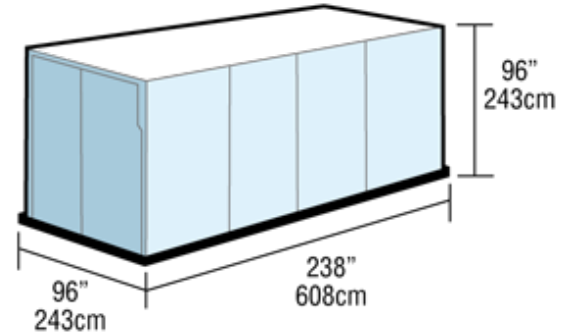
Classification: M-6

Rate Class: Type 1

Suitable for: B747F, B747Combi

Internal volume: 33.0 cu. m (1165 cu. ft.)

Maximum gross weight: 11340kg (25000 lb)



## LD-26

IATA ULD Code AAF

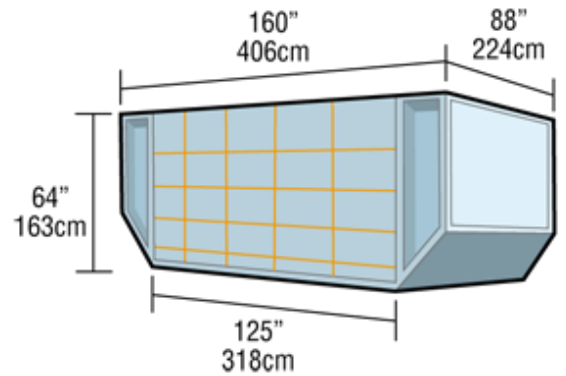
Classification: LD-26

Suitable for: B747, B777, DC-10

Maximum gross weight:

747/DC-10: 6033 kg (13300 lb)

777/DC-10: 4626 kg (10501 lb)



## LD-29

IATA ULD Code: AAU Contoured Container on PIP base

Classification: LD-29

Rate Class: Type 5

Suitable for: B747

Internal volume: 14.2 cu. m (501cu. ft.)

Maximum gross weight: 6033 kg (13300 lb)

